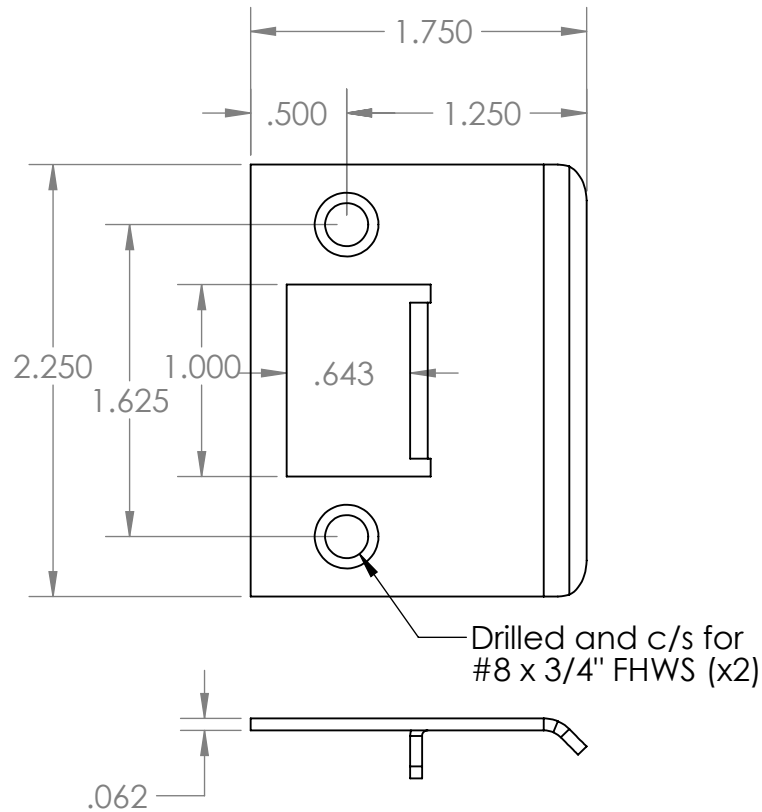


# Full Lip Strike Worksheet



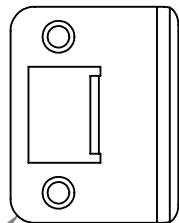
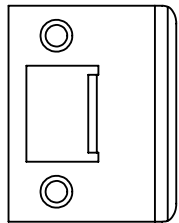
Qty:	
Material:	
Finish:	
Bent lip or flat:	



These are the dimensions of a standard full lip strike  
 Make any changes needed for your custom strike.  
 Please note if you need a different hole configuration.  
 Please note corner options.

**Square Corners**

**Radiused Corners**



R.250

Name:	
Email:	

DIMENSIONS ARE IN INCHES  
 ALL TOLERANCES ±.005

SCALE: 1:1