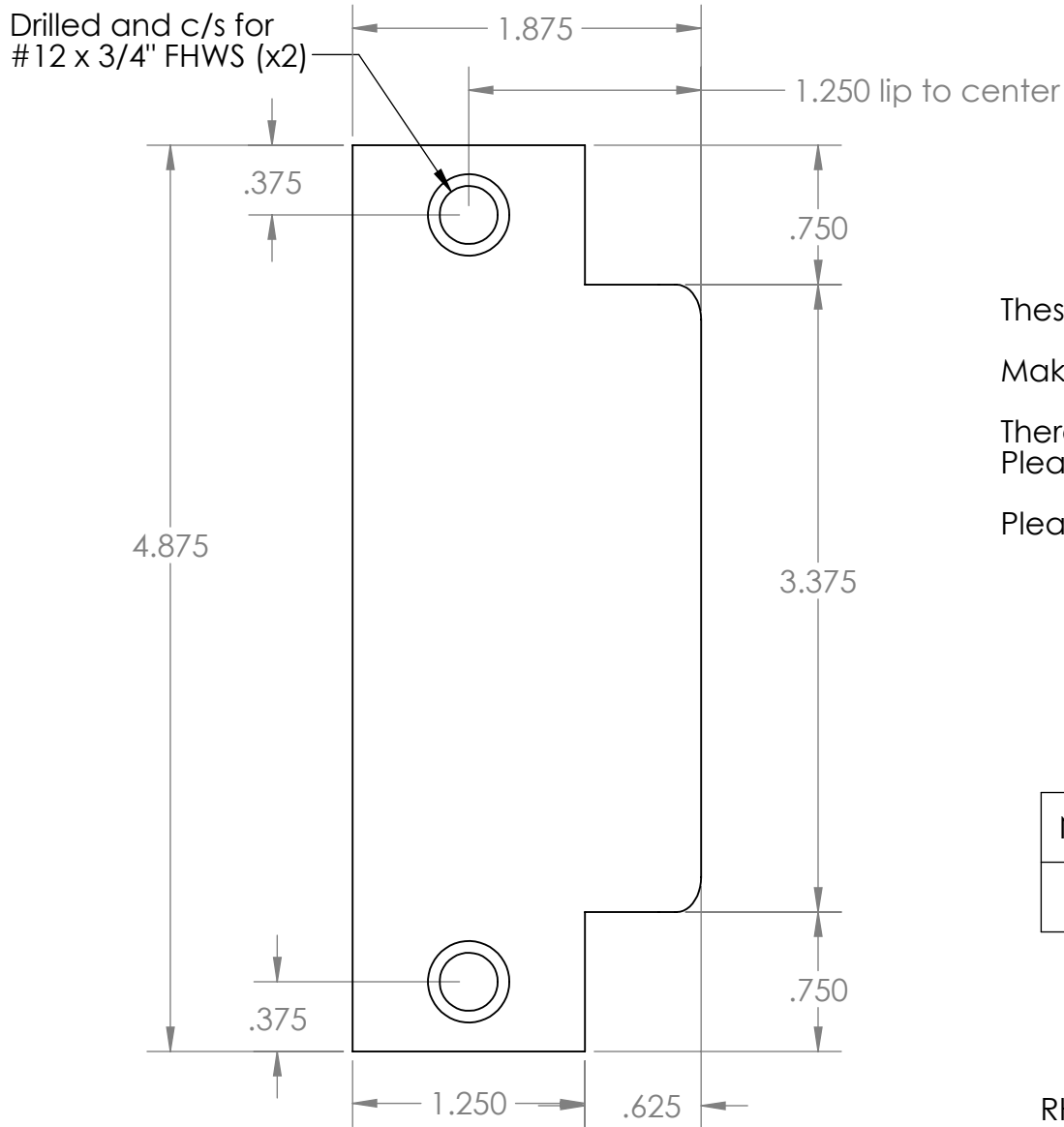


# ASA Worksheet

Qty:	
Material:	
Finish:	
Bent lip or flat:	



These are the dimension of a standard ASA strike  
 Make any changes needed for your custom strike.  
 There are many possible hole configurations.  
 Please draw & dimension what you need on the blank.  
 Please note type of lock this is for if known.

Name:	
Email:	

RH orientation shown

DIMENSIONS ARE IN INCHES  
 ALL TOLERANCES ±.005

SCALE: 1:1